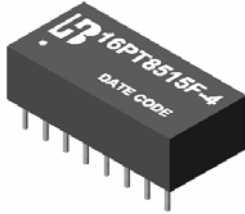


10/100 BASE-T TRANSFORMER

P/N:16PT8515F-4 DATA SHEET

Feature



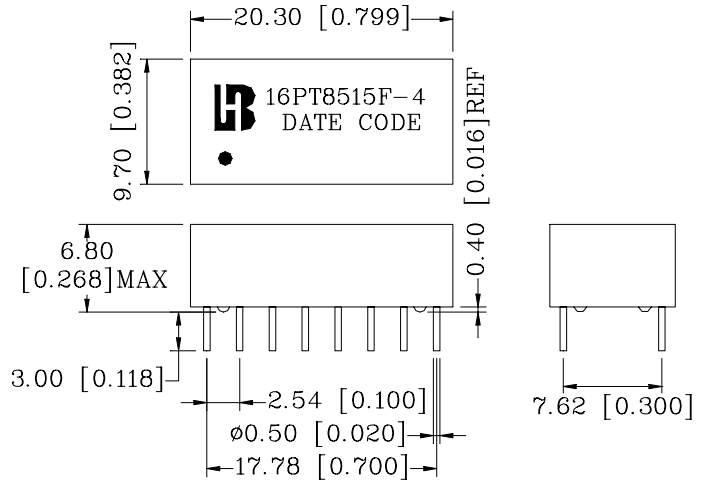
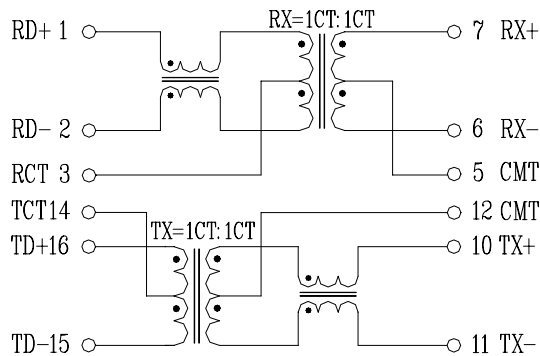
- Designed for 10/100 MB/s transmission over UTP-5 cable.
- Tested & qualified for use with national semiconductor's DP83840 Ethernet 10/100 PHY CHIP
- Cable interface for isolation and low common mode emissions.
- 16-PIN DIP package for economic cost
- Operating Temperature range: 0°C to +70°C.
- Storage temperature range: -25°C to +125°C.

Electrical Specifications @ 25°C						
Part Number	Turns Ratio (±5%)		Rise Time (nS TYP) 10-90%	Cross talk (dB Min)		HI-POT (Vrms)
	TX	RX		0.3-60MHz	60-100MHz	
16PT8515F-4	1CT:1CT	1CT:1CT	2.5	-45	-35	1500

Continue									
Part Number	Insertion Loss (dB Max)	Return Loss (dB Min)					DCMR (dB Min)TX/RX		
		0.3-100MHz	30MHz	40MHz	50MHz	60MHz	80MHz	30MHz	60MHz
16PT8515F-4	-1.15	-16	-14	-13.5	-13	-12	-40	-35	30

Schematic

Mechanical



Units: mm[Inches] Tolerances: xx.x0±0.25[0.010]
0.xx±0.05[0.002]

Bothhand USA email:sales@bothhandusa.com http://www.bothhandusa.com
10/100 BASE-T TRANSFORMER
P/N:16PT8515F-4 DATA SHEET
